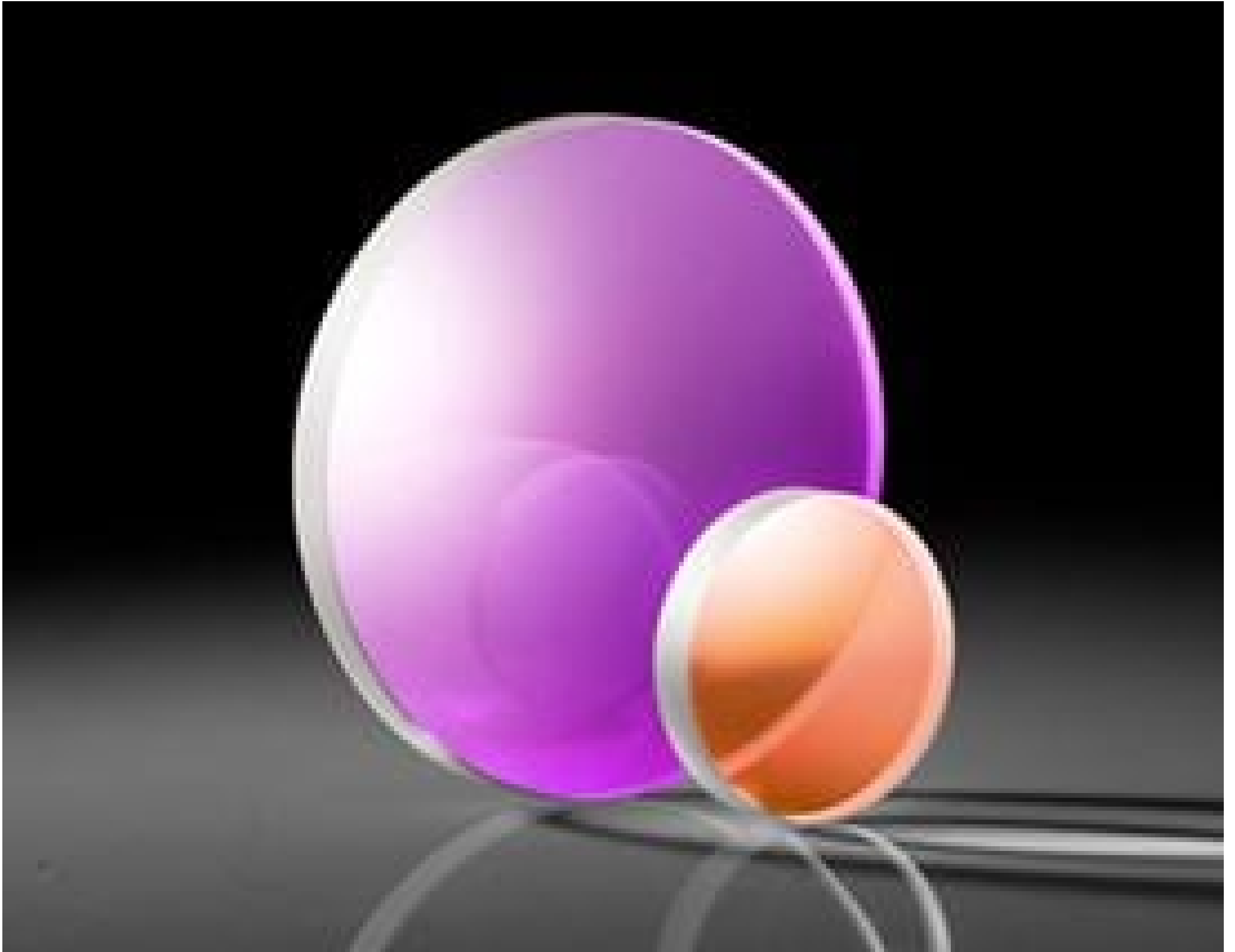


[See all 194 Products in Family](#)

TECHSPEC® 12.7mm Dia. x 100mm FL, 1064nm Coated, Laser Grade PCX Lens



TECHSPEC Laser Grade PCX Lenses

Stock **#38-737** **2 In Stock**

[Other Coating Options](#)

⊖ 1 ⊕ **\$291⁰⁰**

ADD TO CART

Volume Pricing	
Qty 1-5	\$291.20 each
Qty 6-25	\$232.40 each
Qty 26-49	\$214.20 each
Need More?	Request Quote

Product Downloads

General

Plano-Convex Lens **Type:**

Physical & Mechanical Properties

12.70 +0.00/-0.025 **Diameter (mm):**

Centering (arcmin):

<1

Center Thickness CT (mm):
4.00 ±0.10

Edge Thickness ET (mm):
3.57

Clear Aperture CA (mm):
11.43

Bevel:
Protective as needed

Optical Properties

Effective Focal Length EFL (mm):
100.00 @ 355nm

Back Focal Length BFL (mm):
97.32

Coating:
Laser V-Coat (1064nm)

Coating Specification:
 $R_{\text{abs}} < 0.25\%$ @ 1064nm

Substrate:
Fused Silica (Corning 7980)

Surface Quality:
10-5

Power (P-V) @ 632.8nm:
 λ

Irregularity (P-V) @ 632.8nm:
 $\lambda/10$

Focal Length Tolerance (%):
 ± 1

Radius R_1 (mm):
47.61

f#:
7.87

Numerical Aperture NA:
0.06

Design Wavelength DWL (nm):
1064

Damage Threshold, By Design:
 15 J/cm^2 @ 1064nm, 20ns, 20Hz

Regulatory Compliance

Certificate of Conformance:
[View](#)

Product Details

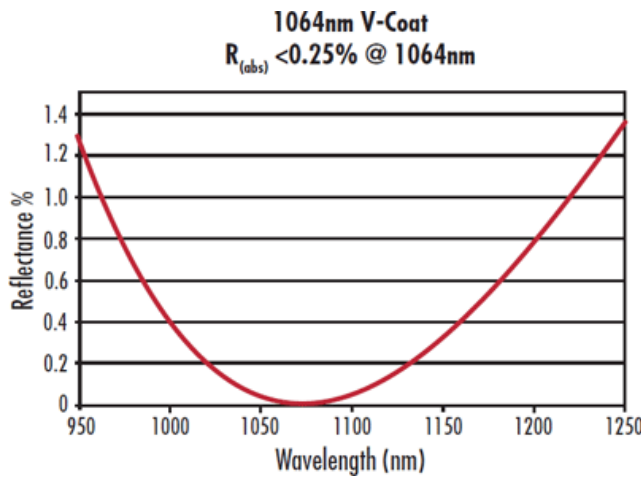
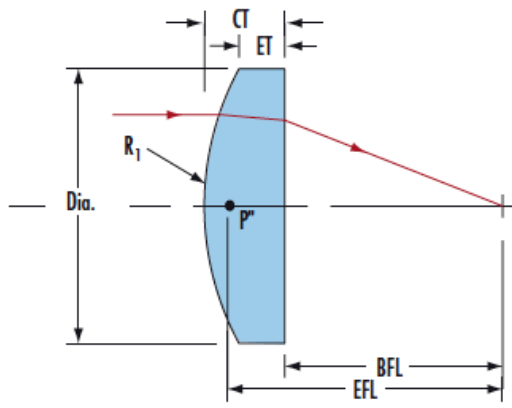
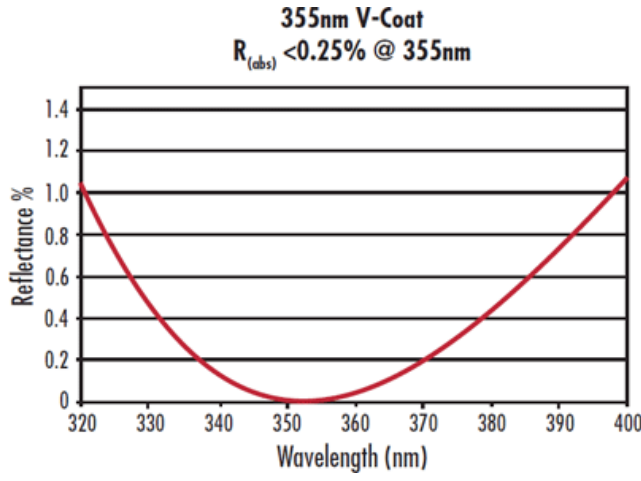
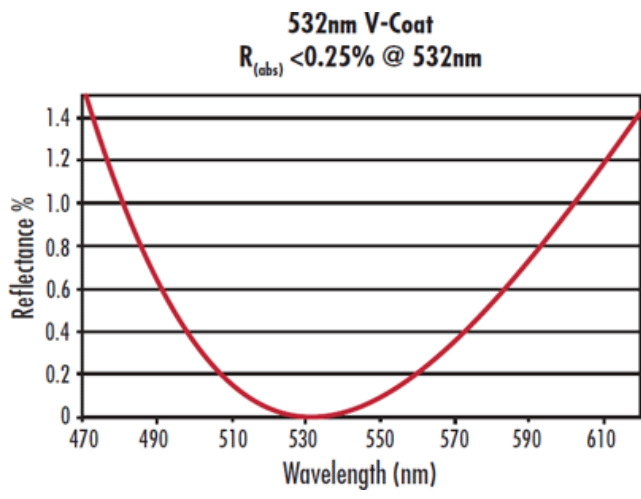
- Guaranteed Laser Damage Threshold
- 10-5 Surface Quality
- $\lambda/10$ Surface Accuracy

TECHSPEC® Laser Grade PCXLenses are designed for high energy Nd:YAG laser applications including laser cutting, machining, and welding. The precision fused silica substrate, featuring $\lambda/10$ surface accuracy and 10-5 surface quality, ensures low scatter and excellent transmitted wavefront performance. TECHSPEC® Laser Grade PCXLenses are available uncoated or with a variety of high laser damage threshold anti-reflection (AR) coating options. Coatings are available at the most common Nd:YAG laser wavelengths to ensure maximum laser throughput.

LASER OPTICS MADE BY EDMUND OPTICS®

[LEARN MORE](#)

Technical Information



Custom

Edmund Optics offers comprehensive custom manufacturing services for optical and imaging components tailored to your specific application requirements. Whether in the prototyping phase or preparing for full-scale production, we provide flexible solutions to meet your needs. Our experienced engineers are here to assist—from concept to completion.

Our capabilities include:

- Custom dimensions, materials, coatings, and more
- High-precision surface quality and flatness
- Tight tolerances and complex geometries
- Scalable production—from prototype to volume

Learn more about our [custom manufacturing capabilities](#) or submit an inquiry [here](#).

Compatible Mounts