

[See all 34 Products in Family](#)

**TECHSPEC® 1:1 with 25mm and 25mm EFL Achromats, 15mm Achromatic Pair**



TECHSPEC Mounted Achromatic Lens Pairs

Stock **#55-271** **2 In Stock**

⊖ 1 ⊕ **\$\$292<sup>00</sup>**

**ADD TO CART**

Volume Pricing	
Qty 1-5	<b>\$\$292.60</b> each
Qty 6-25	<b>\$\$233.80</b> each
Qty 26-49	<b>\$\$225.40</b> each
Need More?	<a href="#">Request Quote</a>

Product Downloads

**General**

Relay Lens **Type:**

**Physical & Mechanical Properties**

9.5 **Clear Aperture CA (mm):**

2.20 **Center Air Spacing (mm):**

15 +0.0/-0.10	<b>Housing Diameter (mm):</b>
21 ±0.2	<b>Housing Length (mm):</b>
4	<b>Lens Edge Spacing at Mount (mm):</b>
18.05	<b>Image Distance (mm):</b>
<b>Construction:</b> Achromat Pair in Anodized Aluminum Housing	

## Optical Properties

N-BAF10 / N-SF10 / N-BAF10 / N-SF10	<b>Substrate:</b> □
40-20	<b>Surface Quality:</b>
f/2.63	<b>Working f#:</b>
MgF <sub>2</sub> (400-700nm)	<b>Coating:</b>
R <sub>avg</sub> ≤ 1.75% @ 400 - 700nm	<b>Coating Specification:</b>
25.00	<b>Effective Focal Length EFL A (mm):</b>
25.00	<b>Effective Focal Length EFL B (mm):</b>
1:1	<b>Magnification:</b>
18.05	<b>Object Distance (mm):</b>
400 - 700	<b>Wavelength Range (nm):</b>

## Regulatory Compliance

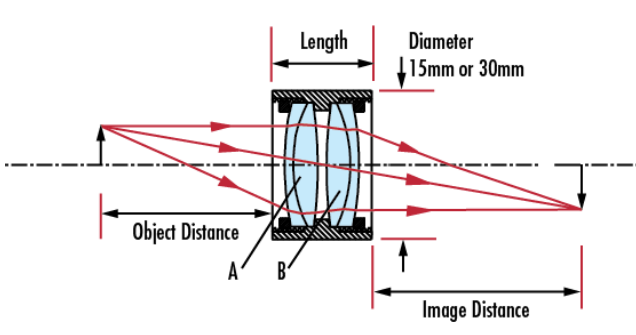
Compliant	<b>RoHS 2015:</b>
Compliant	<b>Reach 209:</b>
View	<b>Certificate of Conformance:</b>

## Product Details

- 15mm and 30mm Diameter Options
- AR Coated Lenses
- Mounted Achromatic Pairs Kits Available

TECHSPEC® Mounted Achromatic Lens Pairs combine popular TECHSPEC® Achromats into common configurations used for relay and projection applications. Packaged in slim-line aluminum housing, each pair is ready for integration into a host of OEM applications, eliminating the need to handle loose optics. 15.0mm pairs can be coupled into C-mount components using [Helicoid Barrel Accessory](#). TECHSPEC Mounted Achromatic Lens Pairs have also been oriented for optimum system performance. All lenses, 15.0mm and 30.0mm, are AR coated. Lower f# pairs may not be ideal for imaging applications depending on the performance requirements. Cylinder lenses can be incorporated into empty barrels in order to generate lines or sheets of light.

## Technical Information



## Coating Curves