

10X Objective, Nikon CFI Super Fluor

See More by [Nikon](#)



Stock #88-375 **1 In Stock**

⊖ 1 ⊕ \$7,168⁰⁰

ADD TO CART

Volume Pricing

Qty 1+	\$7,168.00 each
Need More?	Request Quote

Product Downloads

General

Model Number:
MRF00101

Compatible Tube Lens Focal Length (mm):
Focal Length: 200mm

Type:
Microscope Objective

Style:
Infinity Corrected

Manufacturer:
Nikon

Physical & Mechanical Properties

2.20 Field of View (mm):

63.90 Length (mm):

58.90 Length excluding Threads (mm):

32 Maximum Diameter (mm):

168.00 Weight (g):

Optical Properties

0.17 Compatible Cover Glass Thickness (mm):

0.64mm Horizontal Field of View, 1/2" Sensor:

0.88mm Horizontal Field of View, 2/3" Sensor:

10X Magnification:

0.50 Numerical Aperture NA:

1.2 Working Distance (mm):

22 Field Number (mm):

60.06 Parfocal Length (mm):

N/A Immersion Liquid:

Sensor

2/3" Maximum Sensor Format:

Threading & Mounting

M25 x 0.75 Mounting Threads:

Regulatory Compliance

[Compliant](#) RoHS 2015:

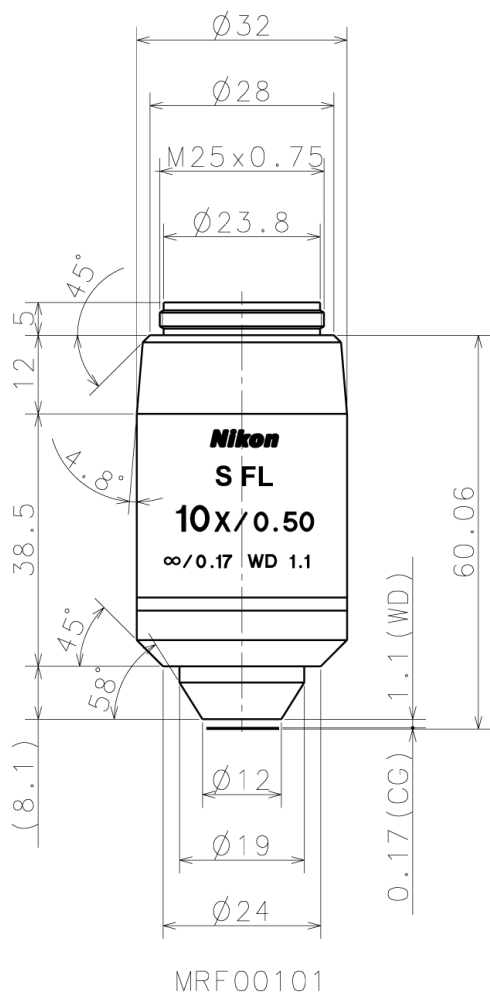
[View](#) Certificate of Conformance:

Product Details

- Superior UV Transmission
- High Numerical Aperture Designs
- Feature Low Auto-Fluorescence Materials

Nikon CFI Super Fluor Objectives are designed to provide superior transmission to ultraviolet applications operating down to 340nm, including for use with fluorochromes indo-1, fura-2, and fluo-3, or for photo-activation of caged compounds. Nikon CFI Super Fluor Objectives are designed using low auto-fluorescence materials along with high numerical apertures to guarantee sharp, bright fluorescence images. These microscope objectives have been optimized for improved signal-to-noise ratios at short wavelengths.

Technical Information



Dimensions (mm)						
Stock No.	Magnification	Parfocal Length	A	B	C	D
#75-345	4X	60.06	30.0	44.3	19.7	M25 x 0.75
#88-375	10X	60.06	32.0	58.9	12.0	M25 x 0.75
#88-376	20X	59.90	33.5	58.9	9.0	M25 x 0.75
#75-346	40X	60.06	32.0	59.8	8.3	M25 x 0.75

