

## 10X DIN Plan Commercial Grade Objective



Stock #43-907 **20+ In Stock**

⊖ 1 ⊕ S\$266<sup>00</sup>

**ADD TO CART**

### Volume Pricing

Qty 1+	S\$266.00 each
Need More?	<a href="#">Request Quote</a>

### Product Downloads

### General

Plan **Type:**  
Finite Conjugate **Style:**

### Physical & Mechanical Properties

44.00 **Length excluding Threads (mm):**  
24 **Maximum Diameter (mm):**

## Optical Properties

Effective Focal Length EFL (mm):  
15.37

Magnification:  
10X

Numerical Aperture NA:  
0.25

Working Distance (mm):  
1.5

Parfocal Length (mm):  
45.5

Immersion Liquid:  
N/A

## Threading & Mounting

Mounting Threads:  
0.7965-36 TPI, 55° Whitworth

## Environmental & Durability Factors

Operating Temperature (°C):  
5 to 40

Storage Temperature (°C):  
-20 to 60

Operating Relative Humidity:  
45% to 85%

## Regulatory Compliance

RoHS 2015:  
[Compliant](#)

Certificate of Conformance:  
[View](#)

## Product Details

- Achromatic and Plan Designs
- Use with T- and C-Mounting Systems
- Ideal for OEM Applications

Commercial Grade Standard Microscope Objectives are designed for a wide variety of applications. These objectives are provided in both achromatic and plan designs. Using DIN standard, 0.7965" (20.1mm) dia. threads, 36 TPI, 55° Whitworth, these objectives will fit into most microscope and spatial filter assemblies. Commercial Grade Standard Microscope Objectives, used in conjunction with our [T- and C-mounting systems](#), are an ideal solution for OEM production use. These objectives are offered in 4X, 10X, 40X, and 100X magnifications.

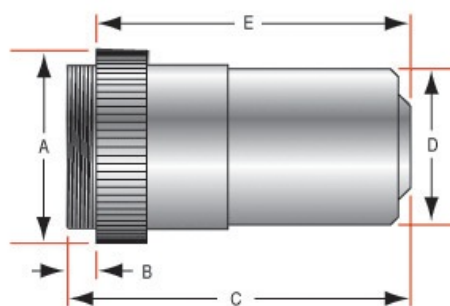
**Note:** 40X and 100X versions are spring loaded. 100X version is also oil immersion type.

## Technical Information

Stock No.	A	B	C	D	E
<a href="#">#43-902</a>	24	3.7	31	19	26
<a href="#">#43-903</a>	24	3.7	43	19	40
<a href="#">#43-904</a>	24	3.7	48.8	20	45.8
<a href="#">#43-905</a>	24	3.7	48.8	20	45.8

<a href="#">#67-706</a>	24	3.7	34	22	30
<a href="#">#43-907</a>	24	3.7	47.6	22	44
<a href="#">#43-908</a>	24	3.7	49	22	46
<a href="#">#43-909</a>	24	3.7	48	22	46

Commercial Grade Standard Microscope Objectives



Units: mm

