

TECHSPEC® 1.0X - 3.0X VariMagTL™ Telecentric Lens



VisionSystems
RESEARCH

INNOVATORS
AWARDS

SILVER

1.0X - 3.0X VariMagTL™ Telecentric Lens, #88-387



Stock #88-387 **20+ In Stock**

1 **S\$2,653⁰⁰**

ADD TO CART

Volume Pricing

Qty 1+	S\$2,653.00 each
Need More?	Request Quote

Product Downloads

General

VariMag TC Series

Product Family:

Note:
Includes adapter to switch from 1.0X - 2.0X to 2.0X - 3.0X

Type:

Telecentric Lens

Special Type of Lens:

Physical & Mechanical Properties

Variable **Iris Option:**

154.00 **Length (mm):**

48.0 **Maximum Diameter (mm):**

296 **Weight (g):**

154 **Maximum Length (mm):**

90 **Minimum Length (mm):**

Optical Properties

75 lp/mm @ >20% **Resolution:**

11.00 **Maximum Image Circle (mm):**

<0.1 **Typical Telecentricity @ 588nm (°):**

<0.1 **Typical Distortion @ 588nm (%):**

1.0X - 3.0X **Primary Magnification PMAG:**

50.3 - 71.6 **Working Distance (mm):**

8.8 x 6.6 - 2.9 x 2.2 **FOV @ Max Sensor Format, H x V (mm):**

f/6 - Closed **Aperture (f/#):**

Variable **Depth of Field (mm):**

VIS **Lens Wavelength Range:**

Sensor

2/3" **Maximum Sensor Format:**

2.74 **Pixel Size (µm):**

Threading & Mounting

M30.5 x 0.50 (Female) **Filter Thread:**

C-Mount **Mount:**

Regulatory Compliance

[View](#) **Certificate of Conformance:**

Product Details

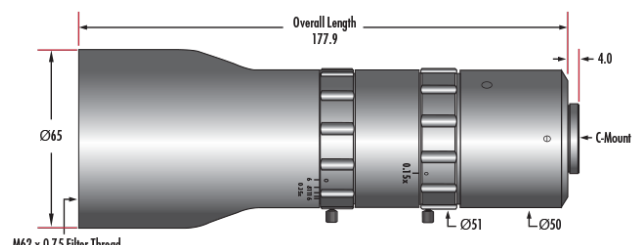
- Variable Magnification Telecentric Lens
- Up to 5 MegaPixels, 3.45µm Pixel Size Sensors
- 2/3", C-Mount Telecentric Lens
- Magnification from 0.15X to 3X

TECHSPEC® VariMagTL™ Telecentric Lenses are designed for applications that may require constant adjustment of a system's field of view. Each lens provides a range of magnifications that users can adjust or lock down with a set screw. With coverage for up to 2/3" format sensors, these telecentric lenses feature compact, C-mount compatible designs for easy system integration. TECHSPEC VariMagTL™ Telecentric Lenses also include an adjustable iris to control light throughput and improve image quality. These lenses are ideal for use in semiconductor or electronics inspection and [factory automation](#) applications.

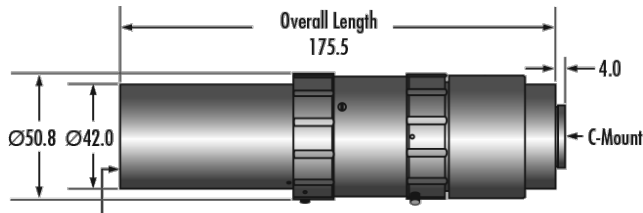
These lenses won the [Silver Level 2015 Innovators Award](#).

Note: Customized fixed versions are also available to meet volume requirements. Please contact [technical support](#) to discuss your specific requirements.

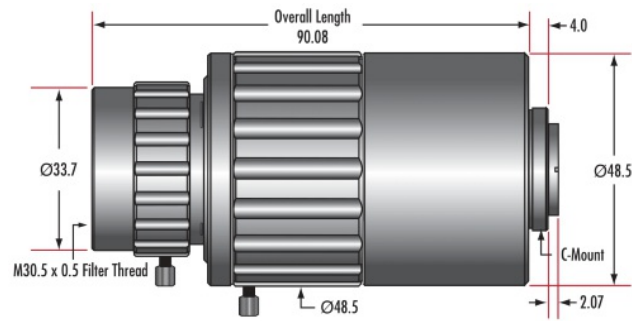
Technical Information



M62 x 0.75 Filter Thread
0.25X - 0.5X Telecentric VariMagTL™ Lens (#88-385)



M40.5 x 0.5 Filter Thread
0.5X - 1.0X Telecentric VariMagTL™ Lens (#88-386)



M30.5 x 0.5 Filter Thread
1.0X - 3.0X Telecentric VariMagTL™ Lens (#88-387)

0.25X-0.50X Telecentric Lens, #88-385						
Magnification	0.25X	0.30X	0.35X	0.40X	0.45X	0.50X
Working Distance (mm)	145	124.5	112	104	100.2	100.1
Field of View (mm)*	35.2	29.3	25.1	22	19.6	17.6
0.5X - 1.0X Telecentric Lens, #88-386						
Magnification	0.5X	0.6X	0.7X	0.8X	0.9X	1.0X
Working Distance (mm)	115	106	102	100	100	100
Field of View (mm)*	17.6	14.67	12.6	11	9.78	8.8
1.0X - 3.0X Telecentric Lens, #88-387						
Magnification	1.0X	1.5X	2.0X	2.5X	3.0X	
Working Distance (mm)	71.6	61	55.6	52.4	50.3	
Field of View (mm)*	8.8	5.87	4.4	3.5	2.93	