

**TECHSPEC® 10mm Diameter, S-Mount Thin Optic Mount**



Stock #63-943 **20+ In Stock**

- 1 + \$57<sup>05</sup>

**ADD TO CART**

Volume Pricing	
Qty 1-4	\$57.05 each
Qty 5-9	\$51.24 each
Qty 10-25	\$47.60 each
Need More?	<a href="#">Request Quote</a>

Product Downloads

**General**

Function:  
Optic Mount (Fixed)

Type of Optics:  
Circular

**Physical & Mechanical Properties**

8.6	<b>Extension Length (mm):</b>
11.6	<b>Total Length (mm):</b>
1.0	<b>Min. Thickness of Compatible Optics (mm):</b>
2.5	<b>Max. Thickness of Compatible Optics (mm):</b>
9.0	<b>Clear Aperture CA (mm):</b>
16.0	<b>Outer Diameter (mm):</b>

## Threading & Mounting

S-Mount	<b>Thread Type:</b>
10.0	<b>Diameter of Compatible Optics (mm):</b>

## Regulatory Compliance

<a href="#">Compliant</a>	<b>RoHS 2015:</b>
<a href="#">View</a>	<b>Certificate of Conformance:</b>
<a href="#">Compliant</a>	<b>REACH 241:</b>

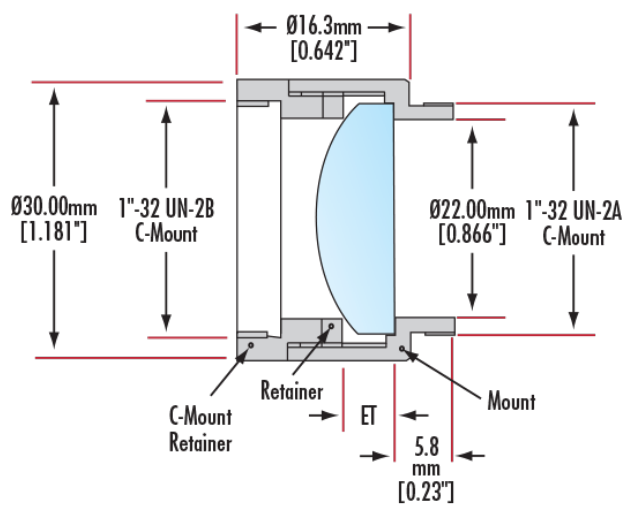
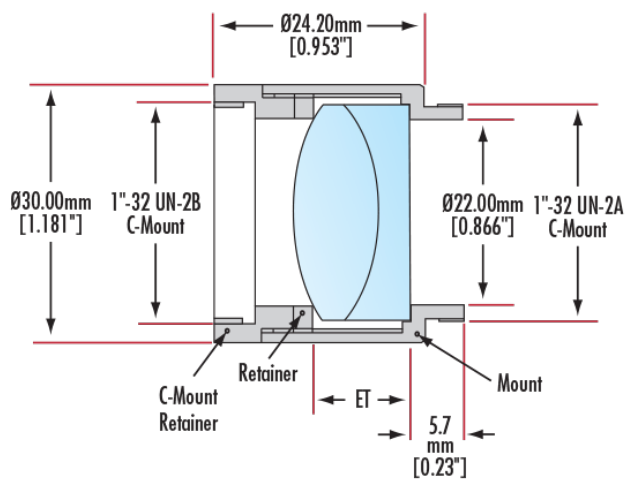
## Product Details

- Mounts for Simple Lenses, Achromats, Filters, or Reticles
- Designed to Integrate with Any C, S, or T-Mount Components
- Optic is Held in Place with Included Retaining Ring

TECHSPEC® C, S, and T-Mount Circular Optic Mounts are designed to mount a variety of circular optical components into C, S, or T-Mount compatible systems. An included threaded retainer ring, designed to accept a standard spanner wrench, securely holds the optical component. These circular optic mounts are compatible with a wide variety of Edmund Optics optomechanical components utilizing C, S, or T-Mount threads, such as [extension tubes](#) and [kinematic mounts](#). TECHSPEC® C, S, and T-Mount Circular Optic Mounts are threaded for 1" x 32 TPI, M12 x 0.5, or M42 x 0.75 mounting, with 30mm, 16mm, and 48mm outer diameters, respectively. These mounts are ideal for creating and personalization of a diverse range of optical systems.

**Note:** [#56-353](#), [#56-354](#), [#52-933](#), and [#52-292](#) are all 3-part assemblies

## Technical Information





### S-Thread Simple / Thin Lens Mount



### S-Thread Simple / Thin Lens Mount



### S-Thread Achromat / Thick Lens Mount





#58-741

