

TECHSPEC® 1.0X - 3.0X VariMagTL™ Telecentric Lens



VisionSystems



**Innovators
Awards**

SILVER

1.0X - 3.0X VariMagTL™ Telecentric Lens, #88-387



Stock **#88-387** **20+ In Stock**

⊖ 1 ⊕ **S\$2,653⁰⁰**

ADD TO CART

Volume Pricing

| | |
|------------|-------------------------------|
| Qty 1+ | S\$2,653.00 each |
| Need More? | Request Quote |

Product Downloads

General

VariMag TC Series

Product Family:

Note:
Includes adapter to switch from 1.0X - 2.0X to 2.0X - 3.0X

Telecentric Lens

Type:

Special Type of Lens:

Physical & Mechanical PropertiesVariable **Iris Option:**154.00 **Length (mm):**48.0 **Maximum Diameter (mm):**296 **Weight (g):**154 **Maximum Length (mm):**90 **Minimum Length (mm):****Optical Properties**75 lp/mm @ >20% **Resolution:**11.00 **Maximum Image Circle (mm):**<0.1 **Typical Telecentricity @ 588nm (°):**<0.1 **Typical Distortion @ 588nm (%):**1.0X - 3.0X **Primary Magnification PMAG:**50.3 - 71.6 **Working Distance (mm):**8.8 x 6.6 - 2.9 x 2.2 **FOV @ Max Sensor Format, H x V (mm):**f/6 - Closed **Aperture (f/#):**Variable **Depth of Field (mm):**VIS **Lens Wavelength Range:****Sensor**2/3" **Maximum Sensor Format:**2.74 **Pixel Size (µm):****Threading & Mounting**M30.5 x 0.50 (Female) **Filter Thread:**C-Mount **Mount:****Regulatory Compliance**[View](#) **Certificate of Conformance:****Product Details**

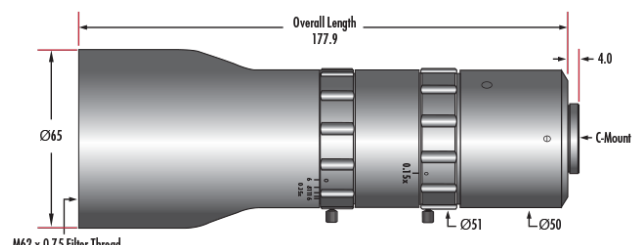
- Variable Magnification Telecentric Lens
- Up to 5 MegaPixels, 3.45µm Pixel Size Sensors
- 2/3", C-Mount Telecentric Lens
- Magnification from 0.15X to 3X

TECHSPEC® VariMagTL™ Telecentric Lenses are designed for applications that may require constant adjustment of a system's field of view. Each lens provides a range of magnifications that users can adjust or lock down with a set screw. With coverage for up to 2/3" format sensors, these telecentric lenses feature compact, C-mount compatible designs for easy system integration. TECHSPEC VariMagTL™ Telecentric Lenses also include an adjustable iris to control light throughput and improve image quality. These lenses are ideal for use in semiconductor or electronics inspection and [factory automation](#) applications.

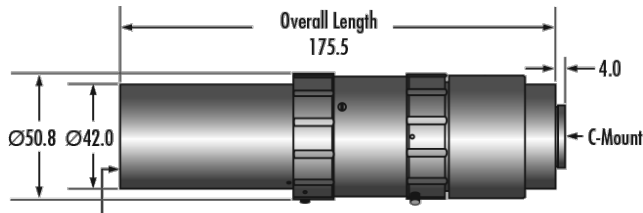
These lenses won the [Silver Level 2015 Innovators Award](#).

Note: Customized fixed versions are also available to meet volume requirements. Please contact [technical support](#) to discuss your specific requirements.

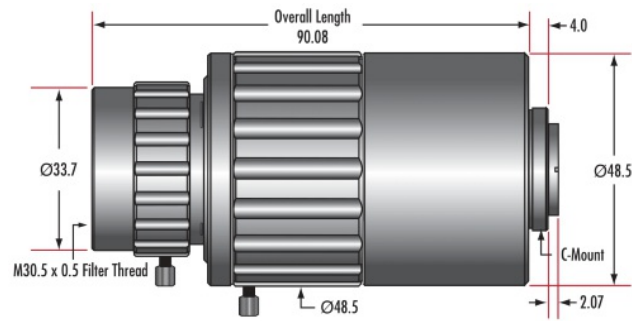
Technical Information



M62 x 0.75 Filter Thread
0.25X - 0.5X Telecentric VariMagTL™ Lens (#88-385)



M40.5 x 0.5 Filter Thread
0.5X - 1.0X Telecentric VariMagTL™ Lens (#88-386)



M30.5 x 0.5 Filter Thread
1.0X - 3.0X Telecentric VariMagTL™ Lens (#88-387)

| 0.25X-0.50X Telecentric Lens, #88-385 | | | | | | |
|---------------------------------------|-------|-------|-------|-------|-------|-------|
| Magnification | 0.25X | 0.30X | 0.35X | 0.40X | 0.45X | 0.50X |
| Working Distance (mm) | 145 | 124.5 | 112 | 104 | 100.2 | 100.1 |
| Field of View (mm)* | 35.2 | 29.3 | 25.1 | 22 | 19.6 | 17.6 |
| 0.5X - 1.0X Telecentric Lens, #88-386 | | | | | | |
| Magnification | 0.5X | 0.6X | 0.7X | 0.8X | 0.9X | 1.0X |
| Working Distance (mm) | 115 | 106 | 102 | 100 | 100 | 100 |
| Field of View (mm)* | 17.6 | 14.67 | 12.6 | 11 | 9.78 | 8.8 |
| 1.0X - 3.0X Telecentric Lens, #88-387 | | | | | | |
| Magnification | 1.0X | 1.5X | 2.0X | 2.5X | 3.0X | |
| Working Distance (mm) | 71.6 | 61 | 55.6 | 52.4 | 50.3 | |
| Field of View (mm)* | 8.8 | 5.87 | 4.4 | 3.5 | 2.93 | |