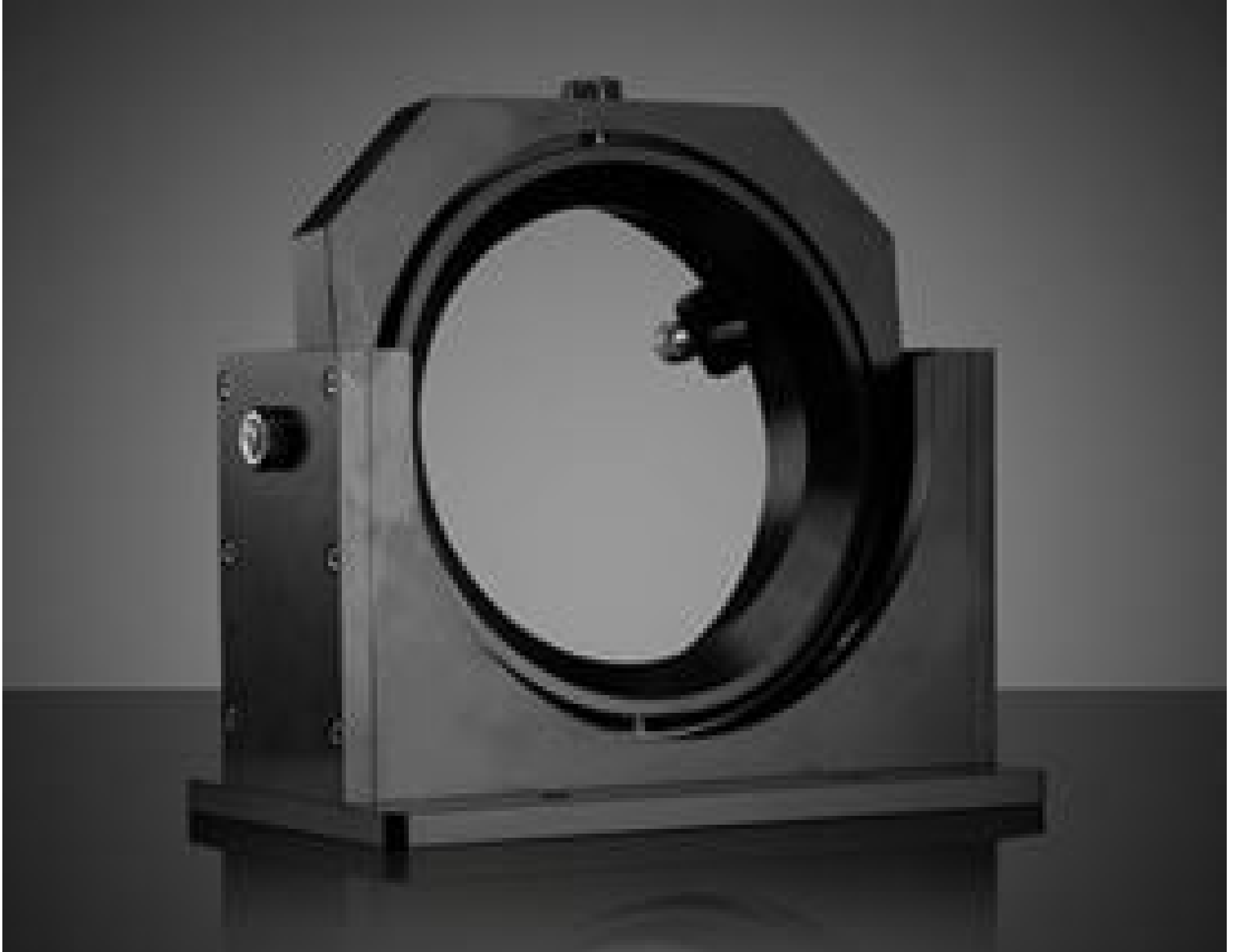


108.0mm/4.25" Optic Dia., Gimbal Mount



Stock **#17-410** **3 In Stock**

⊖ 1 ⊕ **SS\$3,164⁰⁰**

ADD TO CART

Volume Pricing	
Qty 1-4	SS\$3,164.00 each
Qty 5+	SS\$3,005.80 each
Need More?	Request Quote

Product Downloads

General

Adjustable - Tip-Tilt **Type:**

Circular **Type of Optics:**

Three Spring-Loaded Clips **Optic Holding Style:**

Micrometer **Type of Adjustment Screws:**

Physical & Mechanical Properties

92 **Clear Aperture CA (mm):**

±6.0 **Fine Tilt Angle (°):**

±6.0 **Fine Tip Angle (°):**

20 **Max. Thickness of Compatible Optics (mm):**

88.90 **Optical Axis Height (mm):**

4 / 4.25 **Size of Compatible Optics (inches):**

3.5 **Optical Axis Height (inches):**

Threading & Mounting

100.00 - 101.60, 108.00 **Size of Compatible Optics (mm):**

Regulatory Compliance

[Exempt](#) **RoHS 2015:**

[View](#) **Certificate of Conformance:**

[Contains SVHC\(s\)](#) **Reach 247:**

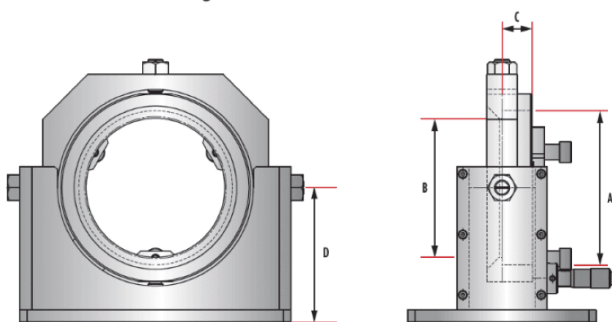
Product Details

- Gimbal Movement for Precision Tip and Tilt Alignment
- Compatible with 4", 4.25", 6", 8", 10" and 12" Diameter Optics
- Designed for Flat Mirrors
- Direct Mounting to English and Metric Breadboards for System Integration
- [Precision Gimbal Mounts](#) for Smaller Optics Also Available

Large Diameter Gimbal Optical Mirror Mount are ideal for integrating large diameter precision mirrors or other optical components into OEM and benchtop systems. These gimbal mirror mounts are compatible with 4.25" (with an included adapter for 4"), 6", 8", 10" and 12" diameter optics. Gimbal movement centers the axes of rotation on the optical surface, which when combined with micrometer driven precision tip and tilt adjustment, allows for accurate control of the beam path. Large Diameter Gimbal Optical Mirror Mounts feature mounting slots for direct breadboard mounting at either parallel to or 45° to the beam path. The mounting slots are compatible with both M6 and 1/4"-20 mounting hardware.

Technical Information

Large Diameter Gimbal Mounts



Dimensions					
Optic Diameter (mm)	Optic Diameter (inches) A	Clear Aperture (mm) B	Max. Optic Thickness (mm) C	Optical Axis Height (inches) D	Optical Axis Height (mm) D
101.6/108.0	4/4.25	92	20	3.5	88.9
152.4	6	140	30	4.5	114.3
203.2	8	190	40	6.25	158.8
254.0	10	248.80	55	8	203.20
304.8	12	298.80	55	9	228.60