

[See all 13 Products in Family](#)

100X Oil Immersion Objective, Nikon CFI Plan Fluor

See More by [Nikon](#)



Stock #75-344 **NEW** [CONTACT US](#)

⊖ 1 ⊕ **\$4,123⁰⁰**

ADD TO CART

Volume Pricing	
Qty 1+	\$4,123.00 each
Need More?	Request Quote

Product Downloads

General

Model Number:
MRH01902

Compatible Tube Lens Focal Length (mm):
Focal Length: 200mm

Type:
Microscope Objective

Style:
Infinity Corrected

Manufacturer:
Nikon

Physical & Mechanical Properties

Field of View (mm):

0.15

Length excluding Threads (mm):

59.71

Maximum Diameter (mm):

30

Weight (g):

185

Optical Properties

Compatible Cover Glass Thickness (mm):

0.17

Horizontal Field of View, 1/2" Sensor:

0.064

Horizontal Field of View, 2/3" Sensor:

0.088

Magnification:

100X

Numerical Aperture NA:

1.30

Working Distance (mm):

0.16

Field Number (mm):

25

Parfocal Length (mm):

60.06

Immersion Liquid:

Oil

Sensor

Maximum Sensor Format:

2/3"

Threading & Mounting

Mounting Threads:

M25 x 0.75

Regulatory Compliance

Certificate of Conformance:

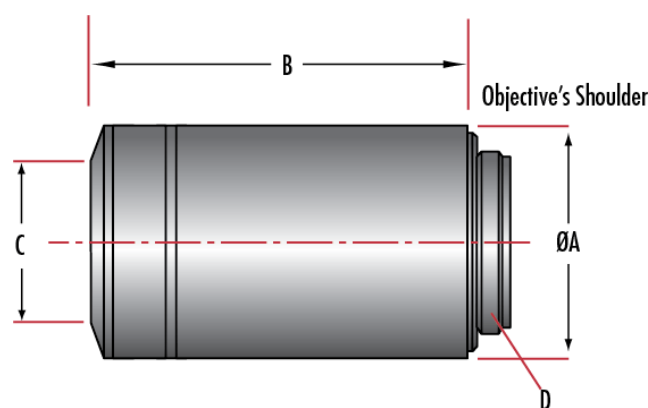
[View](#)

Product Details

- Provide High Contrast Fluorescence Observation
- Ideal for Multiple Microscopy Techniques
- High Transmission from UV to the IR

Nikon CFI Plan Fluor Objectives feature high transmission from the ultraviolet to the infrared, along with exceptional flatness across the entire field of view. These objectives are ideal multipurpose objectives for a variety of microscopy techniques, including brightfield, fluorescence, polarizing, or DIC microscopy. These microscope objectives are suitable for high contrast fluorescence observation or for applications including photomicrography. Nikon CFI Plan Fluor Objectives have M25 x 0.75 mounting threads. The objectives are available in magnifications from 4X up to 60X.

Technical Information



Dimensions (mm)								
Stock No.	Nikon Model Number	Immersion Liquid	Magnification	Parfocal Length	A	B	C	D
#75-343	MRH01401	Oil	40X	60.06	33.5	59.61	8.3	M25 x 0.75
#75-344	MRH01902	Oil	100X	60.06	30.0	59.71	6.1	M25 x 0.75
#88-378	MRH00045	N/A	4X	60.06	30.0	42.7	16.5	M25 x 0.75
#88-379	MRH00105	N/A	10X	60.06	30.0	42.4	18.0	M25 x 0.75

#88-380	MRH00205	N/A	20X	60.06	28.0	57.8	8.5	M25 x0.75
#88-381	MRH00405	N/A	40X	60.06	30.0	59.2	10.0	M25 x0.75
#88-382	MRH00602	N/A	60X	60.06	31.5	59.2	5.0	M25 x0.75
