

[See all 30 Products in Family](#)

100mm Dia x 400mm Focal Length, MgF₂ Coated, PCX Condenser Lens



Stock #19-907 [CONTACT US](#)

S\$303⁰⁰

ADD TO CART

Volume Pricing	
Qty 1-10	S\$303.80 each
Qty 11-49	S\$274.40 each
Need More?	Request Quote

Product Downloads

General

Condenser Lens **Type:**

Physical & Mechanical Properties

100.00 +0.0/-0.5 **Diameter (mm):**

10.00 **Center Thickness CT (mm):**

3.86 **Edge Thickness ET (mm):**

Clear Aperture CA (mm):

Bevel:

Protective as needed

Optical Properties

Effective Focal Length EFL (mm):
400.00 @587.6nm

Back Focal Length BFL (mm):
393.00

Coating:
MgF₂ (400-700nm)

Coating Specification:
R_{avg} ≤1.75% @400 - 700nm

Substrate:
N-BK7

Surface Quality:
120-80

Radius R₁ (mm):
206.70

f#:
4.00

Numerical Aperture NA:
0.13

Wavelength Range (nm):
400 - 700

Regulatory Compliance

RoHS 2015:
Compliant

Certificate of Conformance:
View

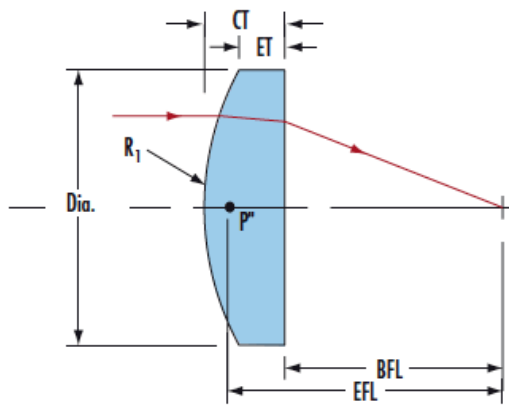
Reach 235:
Compliant

Product Details

- Large Sizes Available – 100 to 250mm Diameter
- Polished Surfaces for Superior Precision vs. Cast Optics
- Wavelength Range of 350-2200nm

Large PCX Condenser Lenses are condenser lenses that concentrate light into a projected beam. They are used in projectors, enlargers, spotlights, and other projection and illumination applications. Our large condensers are available in sizes not available in our standard PCX lenses and are available in a variety of focal lengths. Combine two condenser lenses of the same focal length to produce a system with half the focal length of a single lens. Large PCX Condenser Lenses are available uncoated or with a MgF₂ coating. These lenses feature a N-BK7 substrate and are offered in diameters ranging from 100 to 250mm.

Technical Information



Coating Curves