

0.8mW 220V Linear, HeNe Laser



Low-Noise Lumentum Helium-Neon Laser with self-contained power supply

Stock #61-374 [CONTACT US](#)

⊖ 1 ⊕ **\$2,254⁰⁰**

ADD TO CART

Volume Pricing

Qty 1+	\$2,254.00 each
Need More?	Request Quote

Product Downloads



General

Warm-Up Time (minutes):
10.00

Note:
For Use in European Markets that Utilize 220V or
Requires a 110V to 220V Inversion

Manufacturer:
Lumentum

Type of Laser:
HeNe

Laser Class - CDRH:

IIIa

Operating Lifetime (hours):

12,000

Model Number:

1507P-2

Physical & Mechanical Properties

Dimensions (inches):

2.50 x 2.00 x 7.00

Weight (lbs):

1.20

Optical Properties

Polarization:

500:1

Spatial Mode:

>95% TEM₀₀

Wavelength (nm):

632.80

Beam Diameter Tolerance (%):

±3

Beam Divergence Tolerance (%):

±3

Beam Diameter (mm):

0.48

Beam Divergence (mrad):

1.7

Color:

Red

Electrical

Output Power (mW):

>0.8

Power Stability (%):

±2.5

RMS Noise:

30 Hz - 10 MHz 1.0%

Longitudinal Mode Spacing, Nominal (MHz):

1090

Minimum Output Power, TEM₀₀ (mW):

0.8

Hardware & Interface Connectivity

Power Supply:

Power Supply Required and Sold Separately.

USA: [#11-378](#)

Europe: [#35-224](#)

Japan: Not Available

Korea: Not Available

China: [#11-378](#)

Output Type:

Free Space

Input Voltage (V):

220

Regulatory Compliance

RoHS 2015:

[Exempt](#)

Certificate of Conformance:

[View](#)

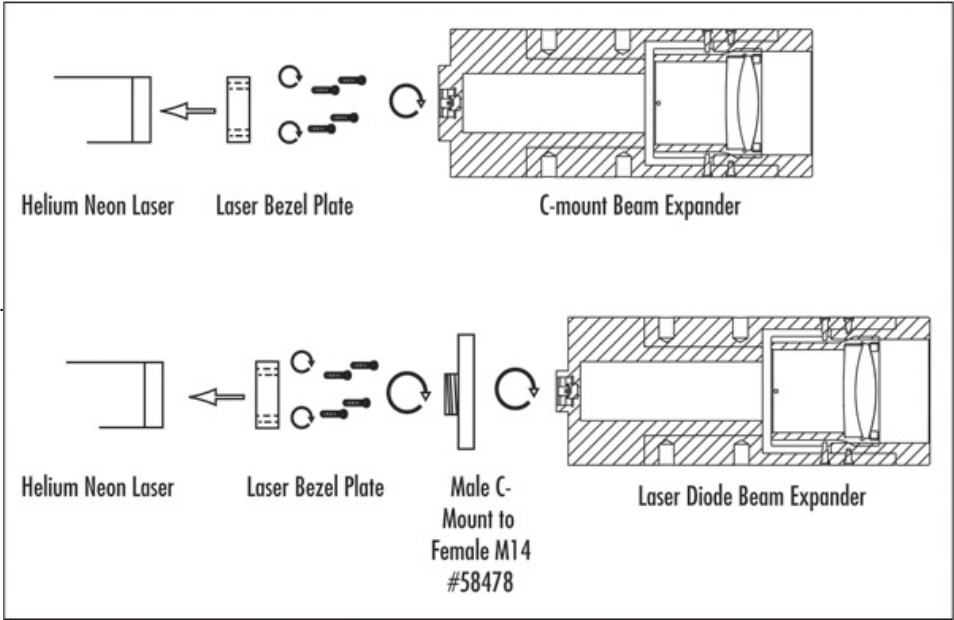
Product Details

- Low Noise
- Self-Contained Power Supply
- Small Size

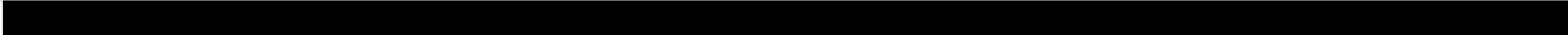
Lumentum Helium-Neon (HeNe) Lasers feature hard-sealed internal mirrors and small physical sizes. Due to low noise, the lasers offer increased laser reliability, greater design flexibility, and enhanced performance. The base of the laser is slotted for lab table mounting. These Lumentum HeNe Lasers also feature self-contained power supplies for simple system integration. Typical applications include alignment, metrology, and inspection.

Note: Lumentum was previously known as JDSU. These HeNe lasers comply with 21CFR1040 and IEC 825-1:1993.

Technical Information



Beam Expander Mounting Configurations Click on an item below to be brought to that item's product page.



;