

[See all 24 Products in Family](#)

TECHSPEC® 0.06X GoldTL™ Telecentric Lens (Mount Included)



0.06X GoldTL™ Telecentric Lens (Mount Included)

Stock **#17-205** **2 In Stock**

⊖ 1 ⊕ **\$7,892⁰⁰**

ADD TO CART

Volume Pricing	
Qty 1+	\$7,892.00 each
Need More?	Request Quote

Product Downloads

General

GoldTL™ Series **Product Family:**

[#56-873](#), Included **Stock No. of Mounting Clamp:**

Telecentric Lens **Type:**

Focusable Telecentric **Special Type of Lens:**

Physical & Mechanical Properties

Variable	Iris Option:
288.42	Length (mm):
288.42	Length excluding Threads (mm):
160.00	Maximum Diameter (mm):
5.54	Weight (kg):

Optical Properties

108.2mm	Horizontal Field of View, 1/1.8" Sensor:
96.3mm	Horizontal Field of View, 1/2" Sensor:
9.00	Maximum Image Circle (mm):
0.005	Numerical Aperture NA, Object Side:
>65% @ 40 lp/mm	Resolution, Image Space MTF @ f/10:
12 (7)	Number of Elements (Groups):
0.0388	Typical Telecentricity @ 588nm (°):
0.614	Typical Distortion @ 588nm (%):
0.06X	Primary Magnification PMAG:
0.06	Telecentric Lens Magnification:
170 - 220	Working Distance (mm):
f/6 - f/25	Aperture (f/#):
N4 MgF ₂	Coating:
±129 at f/10 (20% @ 20 lp/mm)	Depth of Field (mm):
0.06X	Magnification:
VIS	Lens Wavelength Range:

Sensor

1/1.8"	Maximum Sensor Format:
2.74	Pixel Size (µm):

Threading & Mounting

M154 x 1.50 (Female)	Filter Thread:
C-Mount	Mount:

Regulatory Compliance

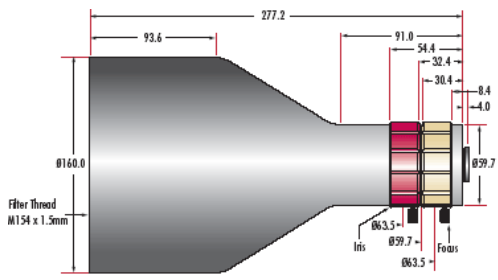
View	Certificate of Conformance:
----------------------	------------------------------------

Product Details

- High Resolution Telecentric Lens for Measurement and Gauging
- Up to 5 MegaPixels, 3.45µm Pixel Size Sensors
- Up to 2/3", C-Mount Telecentric Lens
- Magnification from 0.06X to 1X

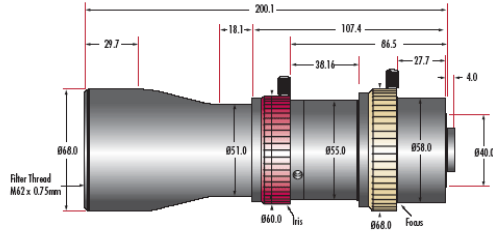
TECHSPEC® GoldTL™ Telecentric Lenses were designed specifically for machine vision and metrology applications. The unique focusable design allows for working distance adjustment, while still providing <0.2° telecentricity. These lenses also feature high resolutions, low distortions, and are available for 1/2" or 2/3" sensors. TECHSPEC® GoldTL™ Telecentric Lenses have a front filter thread for easy integration of [color filters](#), [polarizers](#) or other mounted components. Both the iris and focusing adjustment positions can be fixed by set screws to remain secure in high vibration environments.

Technical Information



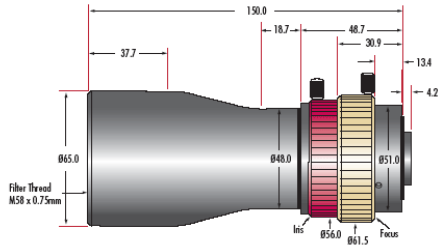
0.08X & 0.06X Telecentric Lens

Units: mm

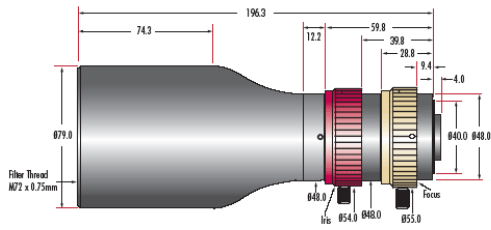


1X & 0.73X Telecentric Lenses

Units: mm



0.5X & 0.36X Telecentric Lenses

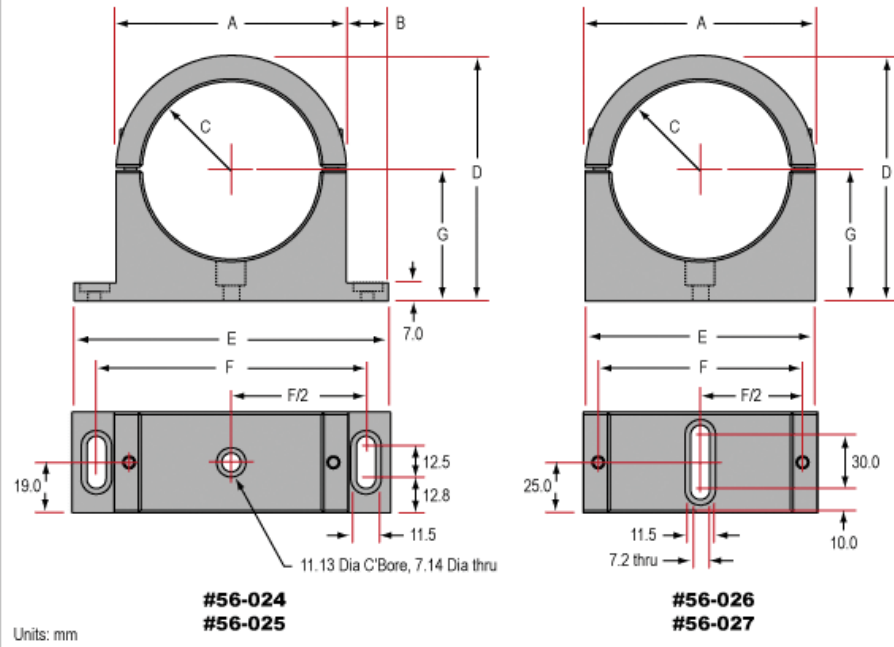


0.25X & 0.18X Telecentric Lenses

Units: mm

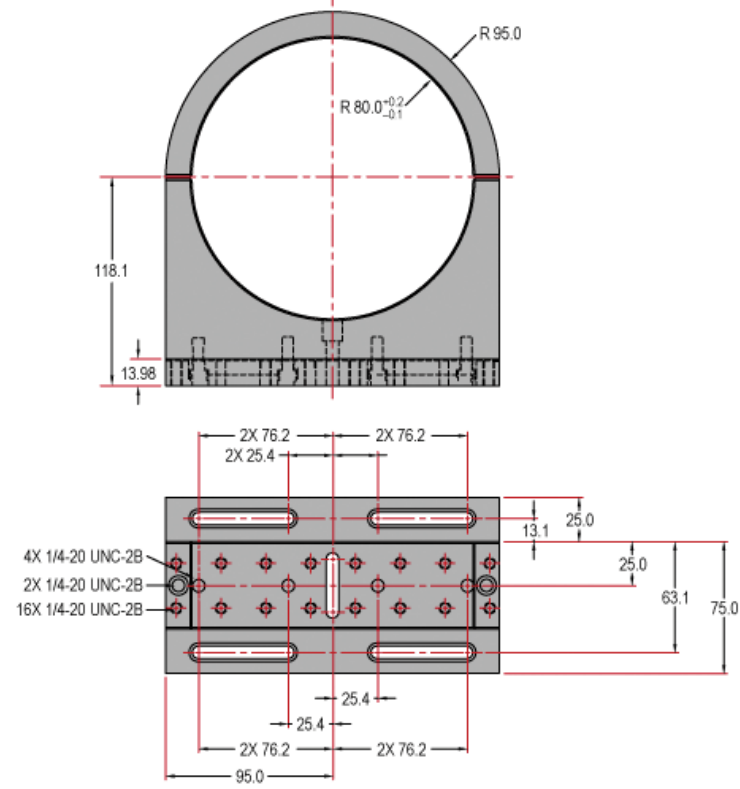
Stock No.	A	B	C	D	E	F	G
#56-024	88mm	16mm	34mm	94mm	120mm	101.6mm	50mm
#56-025	85mm	17.5mm	32.5mm	91mm	120mm	101.6mm	48.5mm
#56-026	103mm	—	39.5mm	107mm	103mm	90mm	55.5mm
#56-027	134mm	—	55mm	148mm	134mm	122mm	81mm

Telecentric Lens Mounts



Units: mm

Telecentric Lens Mount for #56-948



Units: mm