

[All Products](#) / [Optics](#) / [Prisms](#) / [Image Rotation Prisms](#)

TECHSPEC® Schmidt-Pechan Prisms

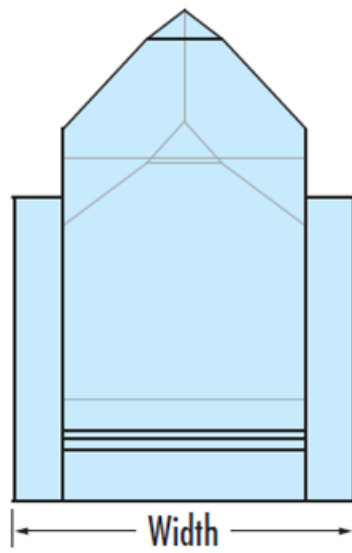
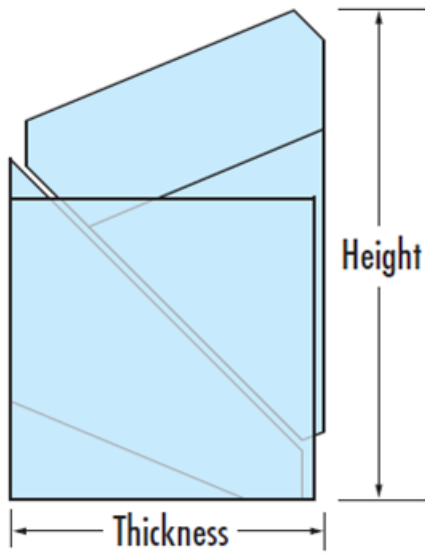


- Provides Inline Image Rotation of 180°
- Compact Design for OEM Integration
- Air Spaced for Optimal Performance

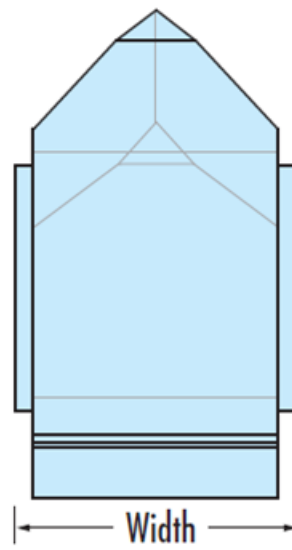
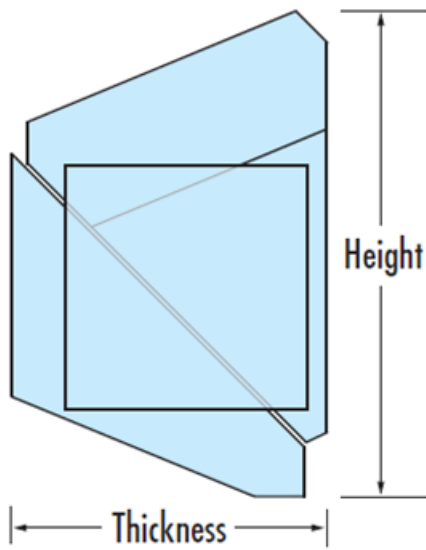
Common Specifications

Dimensional Tolerance (mm):	±0.1		
Coating:	VIS 0° & Aluminized		
Substrate:	N-BK7	Surface Quality:	40-20
Image Orientation:	Right-Handed	Coating Specification:	Entrance/Exit Faces: R _{avg} ≤ 0.4% @ 425 - 675nm Roof: R _{avg} > 85% @ 400 - 700nm w/Black Overpaint
Ray Deviation (°):	0	Wavelength Range (nm):	400 - 700
Ray Deviation Tolerance (arcmin):	±10	Power (fringes) @ 632.8nm:	1.00
Irregularity (fringes) @ 632.8nm:	0.25		

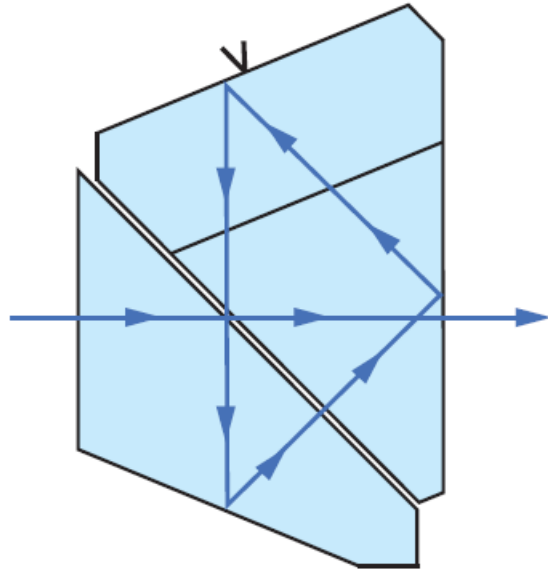
Technical Information



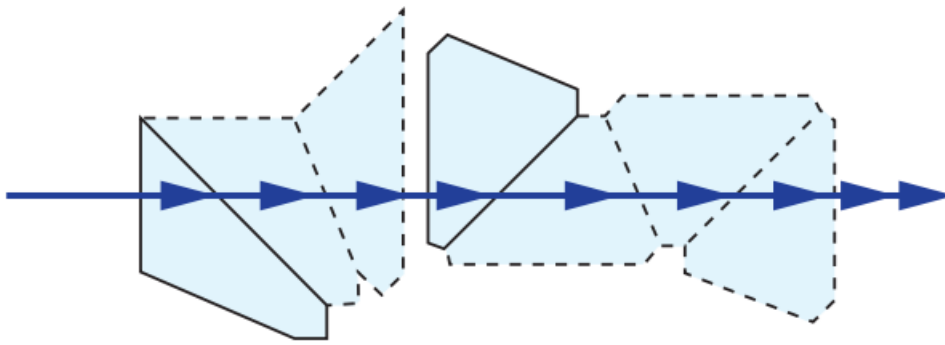
#36-038



#36-039



Schmidt-Pechan Prism Ray Path



Schmidt-Pechan Prism Tunnel Diagram

Products

Width (mm)	Height (mm)	Coating	Wavelength Range (nm)	Stock Number	Price	Buy
14.00	20.2	VIS 0° & Aluminized	400 - 700	#36-038	S\$628.60 Volume Pricing	20+ In Stock
29.00	50.45	VIS 0° & Aluminized	400 - 700	#36-039	S\$786.80 Volume Pricing	2 In Stock



Copyright 2024, Edmund Optics Singapore Pte. Ltd, 18 Woodlands Loop #04-00, Singapore 738100

[PRIVACY POLICY](#) [COOKIE POLICY](#) [TERMS & CONDITIONS](#)

Phone: 1-800-363-1992 :

www.edmundoptics.com