

NOTES:

1. SUBSTRATE:



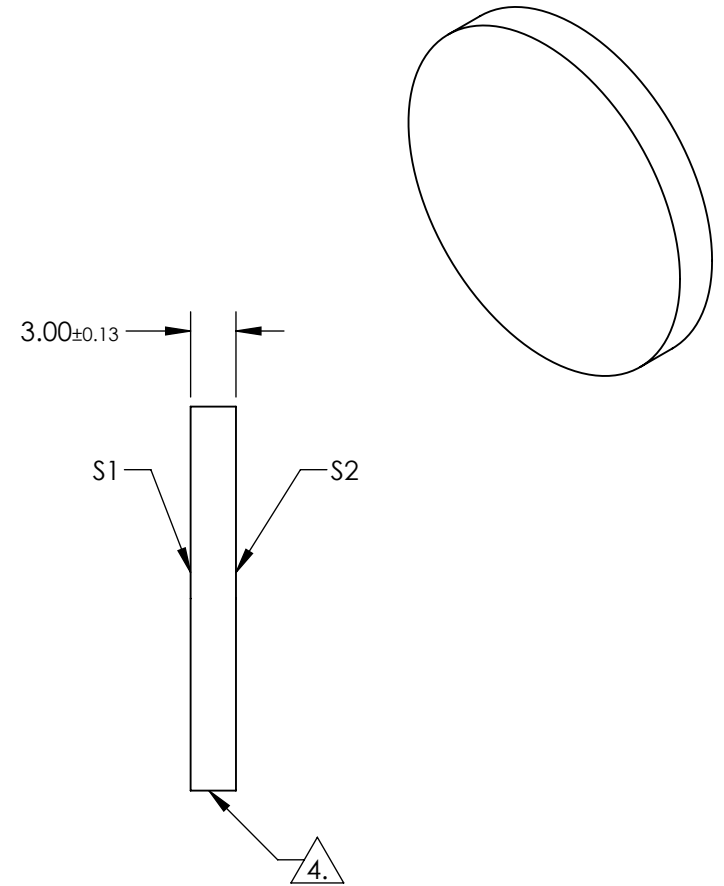
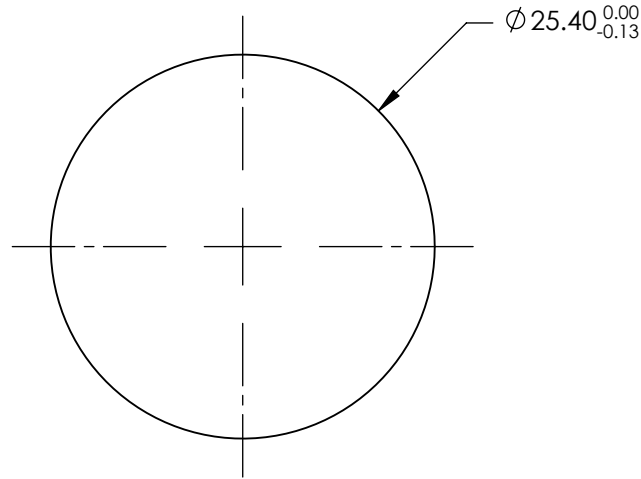
2. SURFACE S2 TO BE PARALLEL TO S1 WITHIN <3ARCMIN

3. COATING (APPLY ACROSS CLEAR APERTURE)

S1&S2: UNCOATED

4. FINE GRIND SURFACE

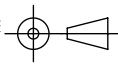
5. ROHS COMPLIANT




**FOR INFORMATION ONLY:  
DO NOT MANUFACTURE  
PARTS TO THIS DRAWING**

SPECIFICATIONS SUBJECT TO CHANGE WITHOUT NOTICE  
DIMENSIONS ARE FOR REFERENCE ONLY

	S1	S2
SHAPE	PLANO	PLANO
SURFACE QUALITY	40-20	40-20
SURFACE FLATNESS	2λ	2λ
CLEAR APERTURE (mm)	21.59	21.59
BEVEL	PROTECTED AS NEEDED	PROTECTED AS NEEDED

THIRD ANGLE PROJECTION 

ALL DIMS IN mm

 **Edmund Optics®**

TITLE: 25.4mm Diameter Uncoated, Magnesium Fluoride Window

DWG NO: 19721

SHEET 1 OF 1