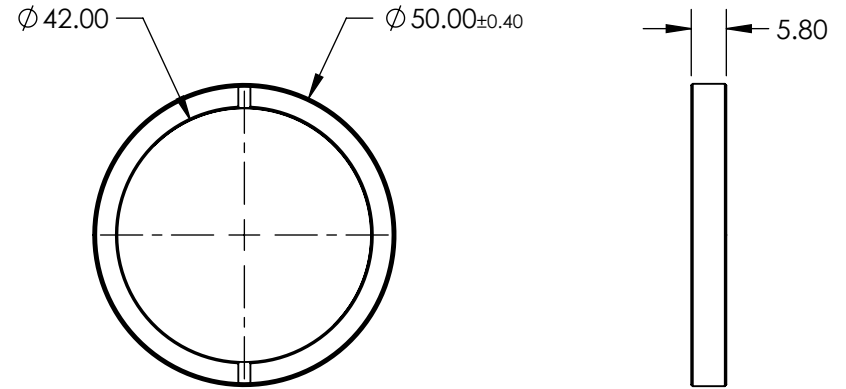


NOTES:

1. SUBSTRATE
FUSED SILICA
2. EXTINCTION RATIO:
5000:1 @ 3200nm
3. WAVELENGTH RANGE: 300 - 3200
4. OPERATING TEMPERATURE: -40 TO +200°C
5. THERMAL EXPANSION: 5.5 X 10⁻⁷/°C
6. TRANSMISSION: >80% (TYPICAL) @ 450nm
7. ALIGNMENT TOLERANCE: ±1.0°
8. CONSTRUCTION: WIRE GRID
9. ROHS: COMPLIANT

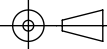


**FOR INFORMATION ONLY:
DO NOT MANUFACTURE
PARTS TO THIS DRAWING**

SPECIFICATIONS SUBJECT TO CHANGE WITHOUT NOTICE
DIMENSIONS ARE FOR REFERENCE ONLY

EO® Edmund Optics®

	S1	S2
SURFACE QUALITY	80-50	80-50
CLEAR APERTURE	Ø42.0	Ø42.0

THIRD ANGLE PROJECTION 	TITLE	Ø50mm, ULTRA BROADBAND WIRE GRID LINEAR POLARIZER	
ALL DIMS IN mm	DWG NO	34316	SHEET 1 OF 1